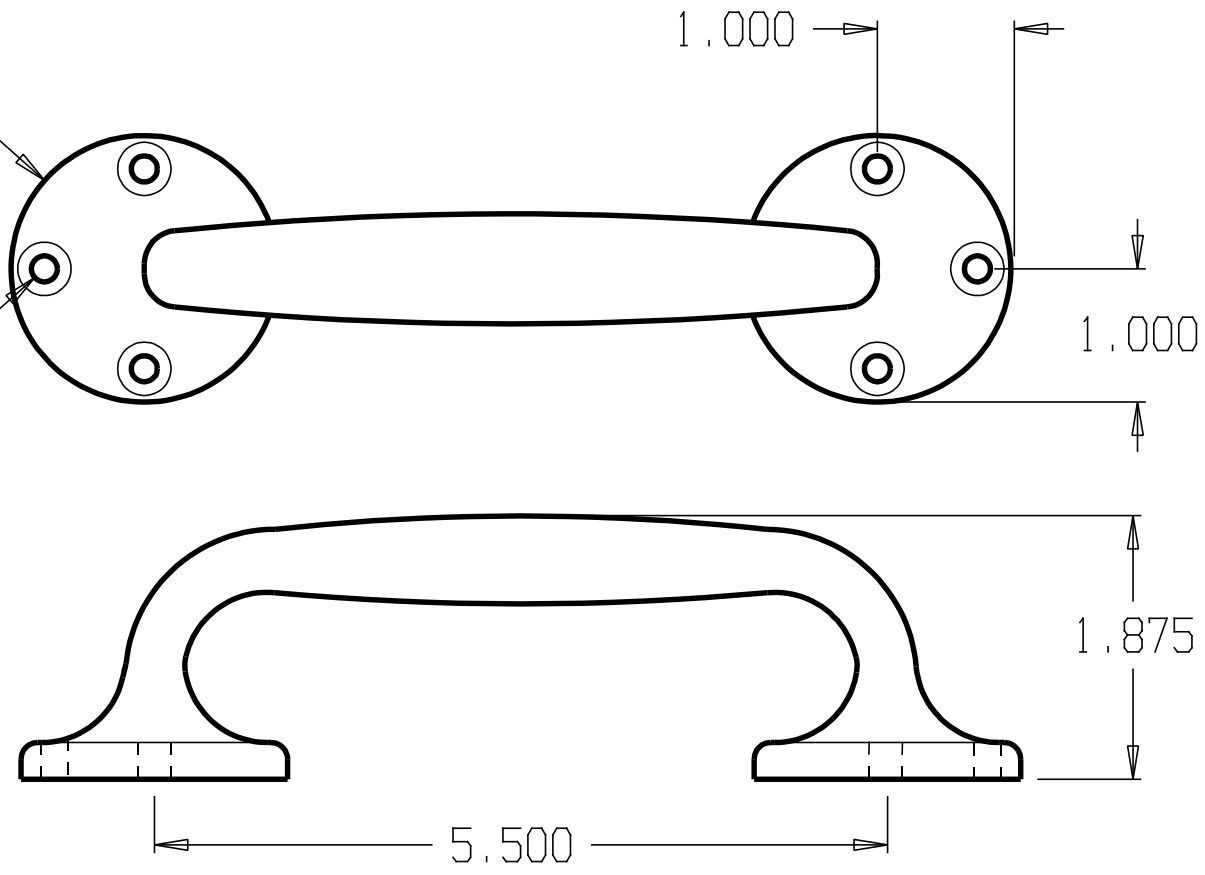


REVISIONS				
ZONE	REV	FINISHES:	DATE	APPROVED
		605, 613, 625, 626		

Ø 2.000

Ø .195
C' SINK FOR
10 SCREW



DON-JO MFG. INC.

DESIGNER	SIZE A	DATE: 4/27/04	PART NO. #35	REV
APPROVED	SCALE	RELEASE DATE	WEIGHT	SHEET