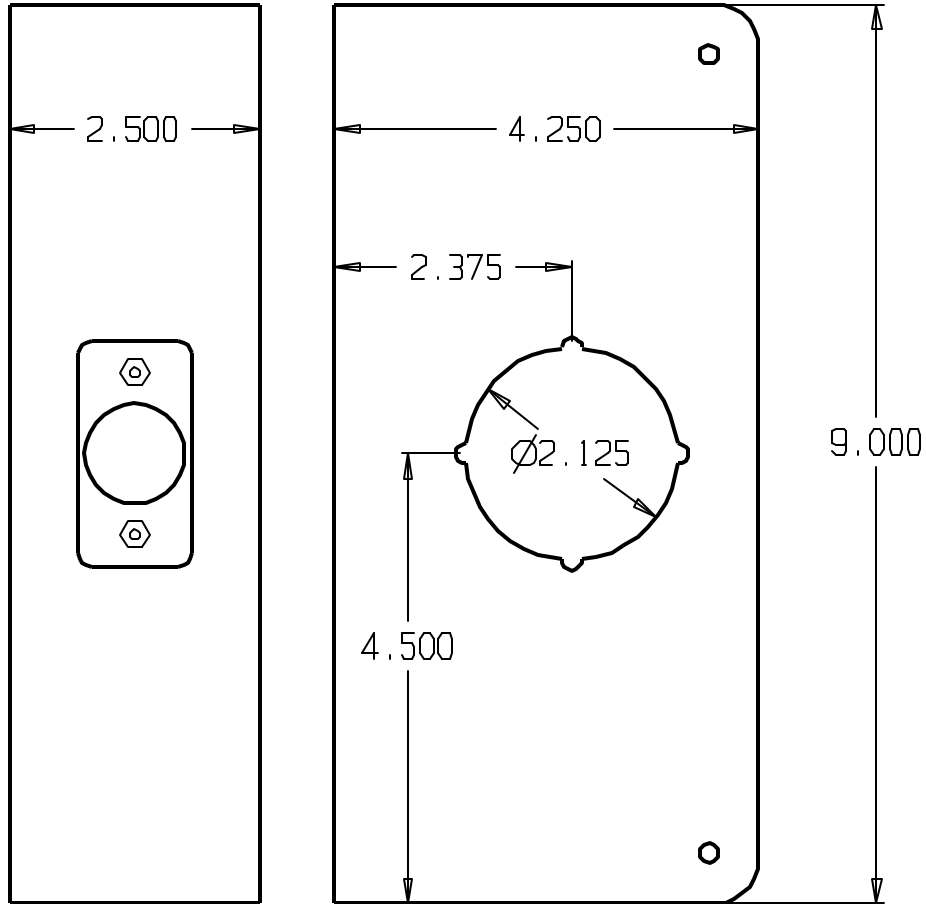


REVISIONS			
ZONE	REV	FINISHES:	DATE
		PB & S	
			APPROVED



DON-JO MFG. INC.

DESIGNER	SIZE	DATE	PART NO.	REV
	A	4/5/04	212C-CW	
APPROVED	SCALE	RELEASE DATE	WEIGHT	SHEET