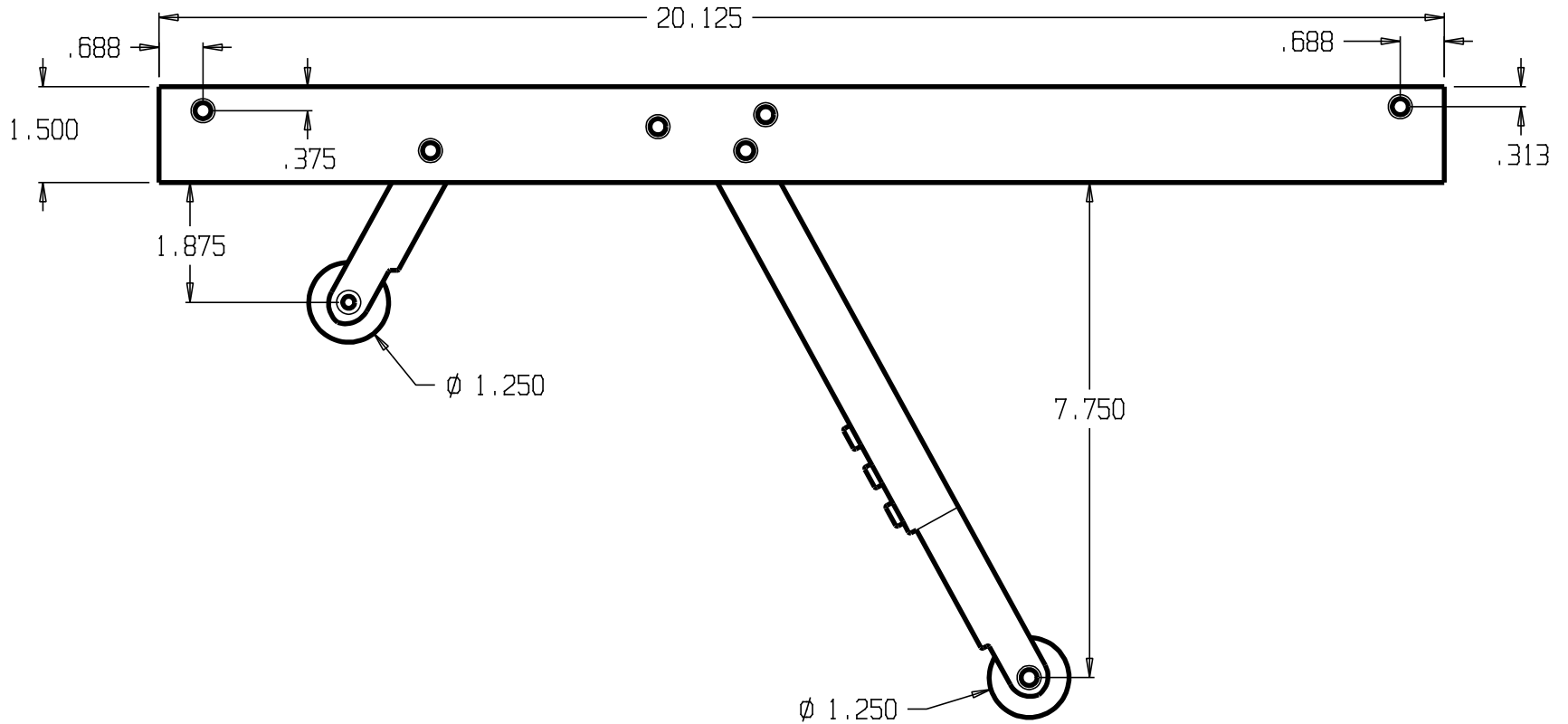


REVISIONS				
ZONE	REV	FINISHES:	DATE	APPROVED
		MATTE BLACK		



DON-JO MFG. INC.

DESIGNER	SIZE	DATE:	PART NO.	REV
	A	4/5/04	#2040	
APPROVED	SCALE	RELEASE DATE	WEIGHT	SHEET