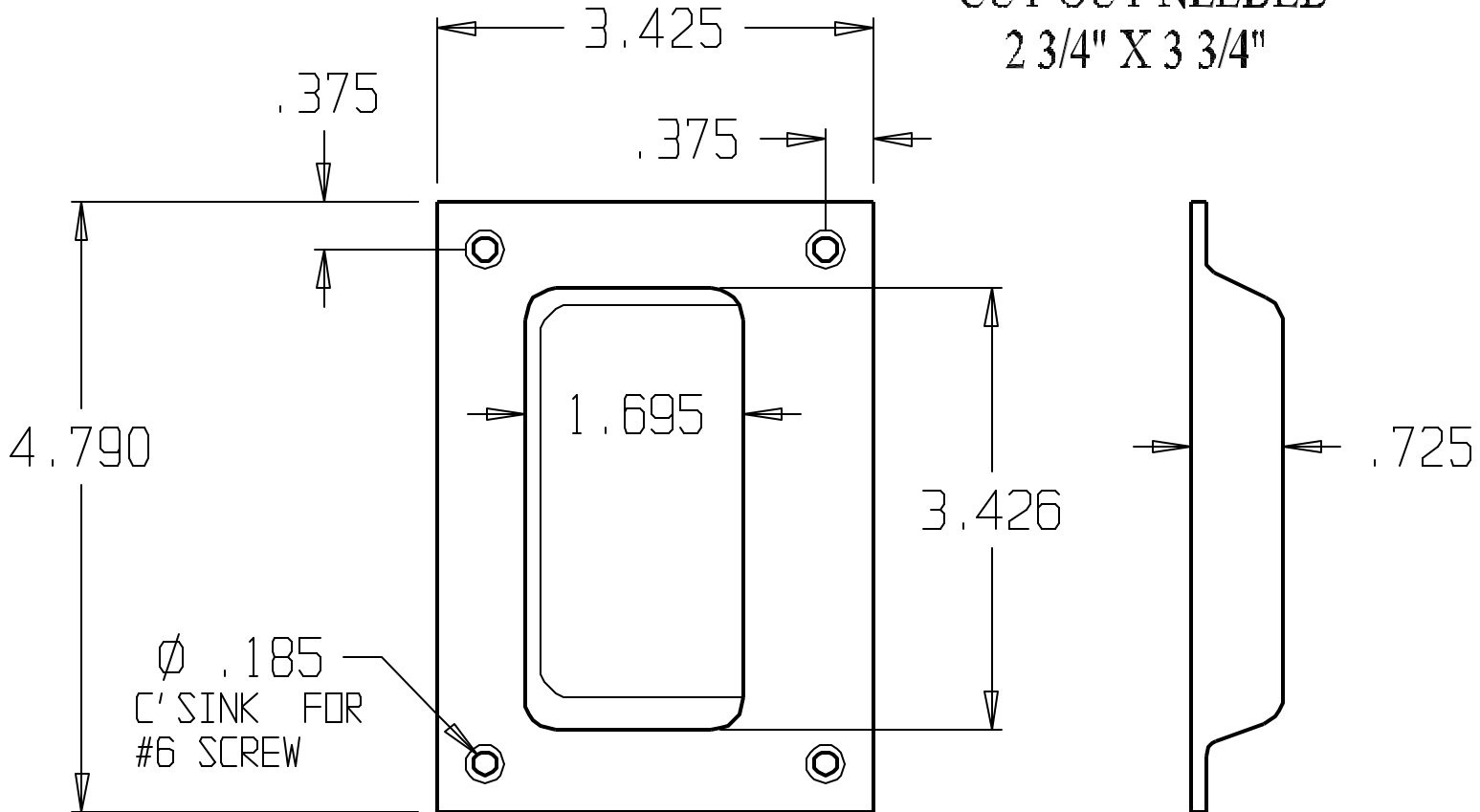


REVISIONS			
ZONE	REV	FINISHES :	DATE
		630	
			APPROVED

CUT OUT NEEDED
2 3/4" X 3 3/4"



DON-JO MFG. INC.

DESIGNER	SIZE A	DATE: 4/1/04	PART NO. #1850	REV
APPROVED	SCALE	RELEASE DATE	WEIGHT	SHEET