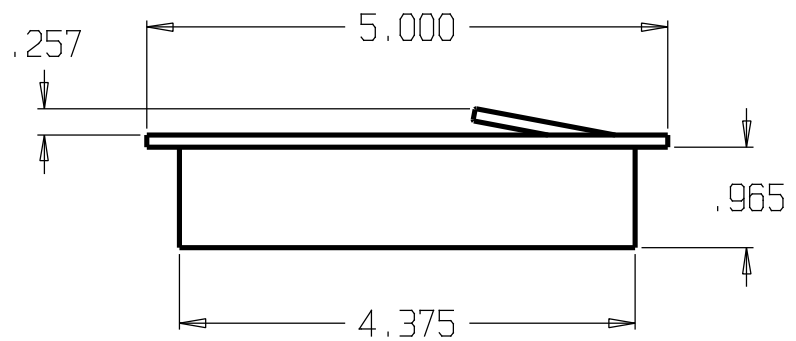
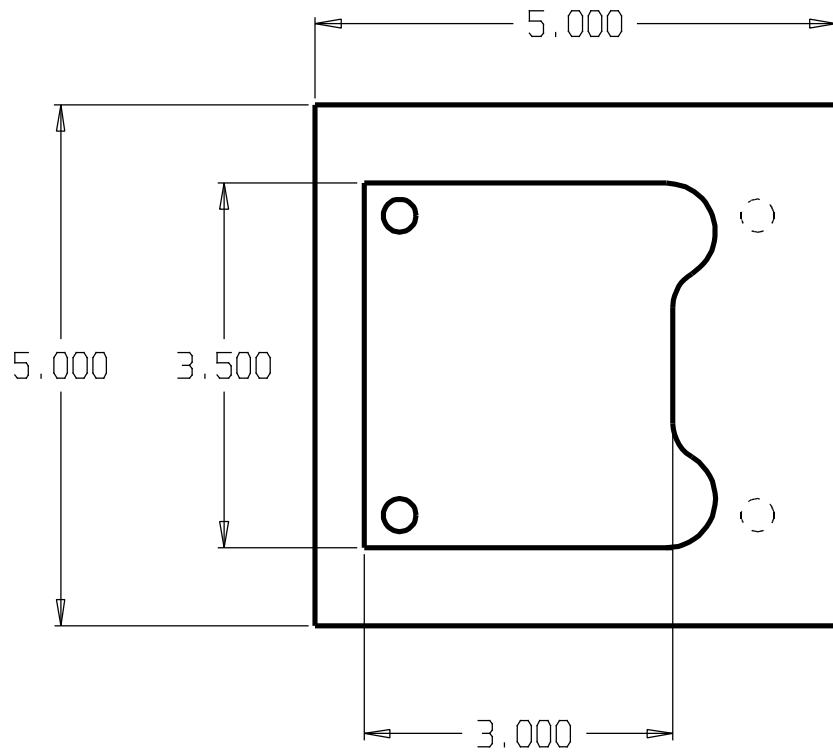


| REVISIONS | | | |
|-----------|-----|-----------|-------------|
| ZONE | REV | FINISHES: | GAUGE: |
| | | 630 | 11ga. .125" |



CUT OUT NEEDED
 3.875" X 4.375"

DON-JO MFG. INC.

| | | | | |
|------------------|-----------|-------------------|-------------------|-------|
| DESIGNER D.R. | SIZE A | DATE: 11/11/10 | PART NO. #1846 | REV |
| | SCALE | RELEASE DATE | WEIGHT | SHEET |