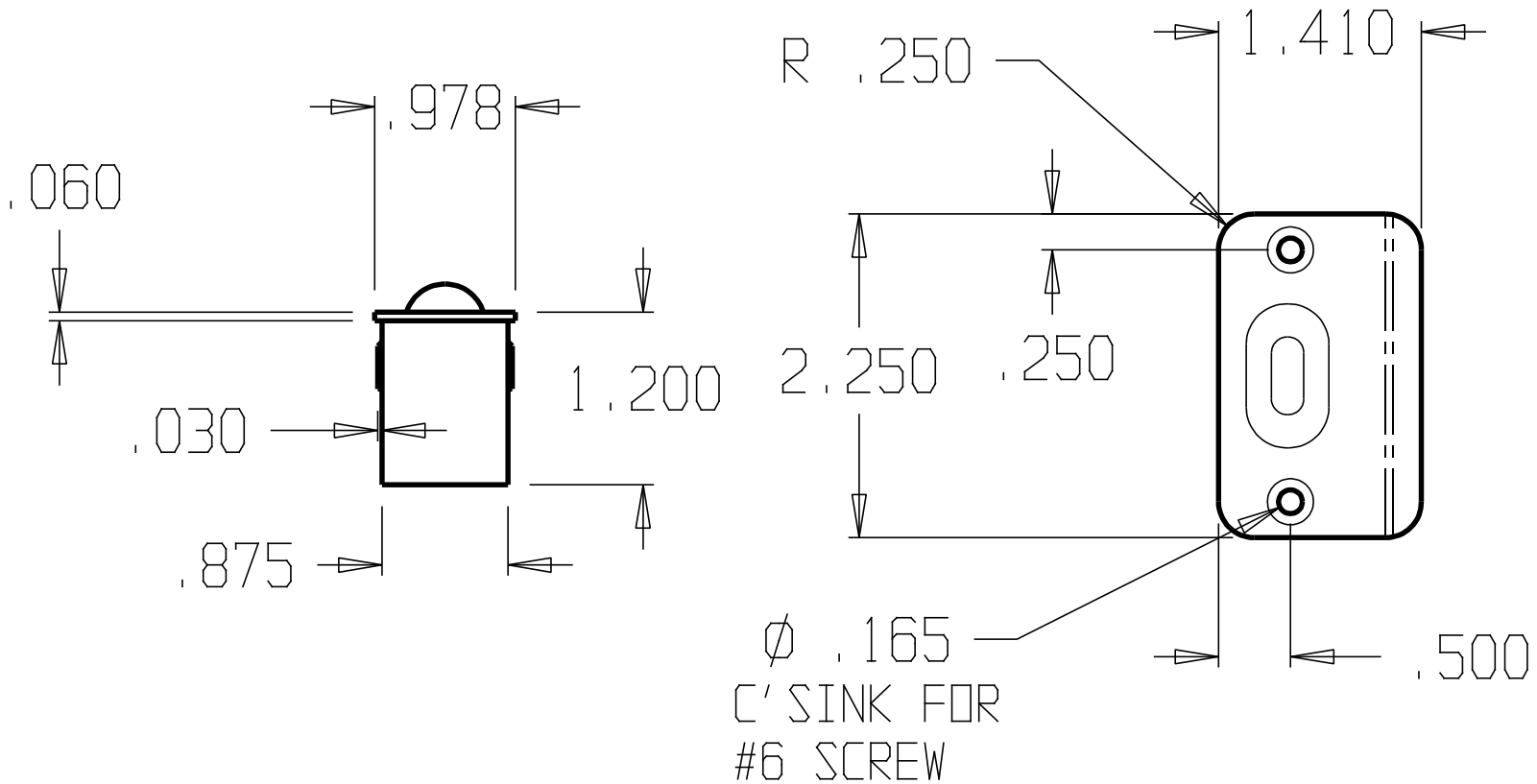


REVISIONS				
ZONE	REV	FINISHES:	DATE	APPROVED
		605, 609, 613, 619, 620, 626		



STRIKE THICKNESS: .050

DON-JO MFG. INC.

DESIGNER	SIZE A	DATE: 3/29/04	PART NO. #1716	REV
APPROVED	SCALE	RELEASE DATE	WEIGHT	SHEET