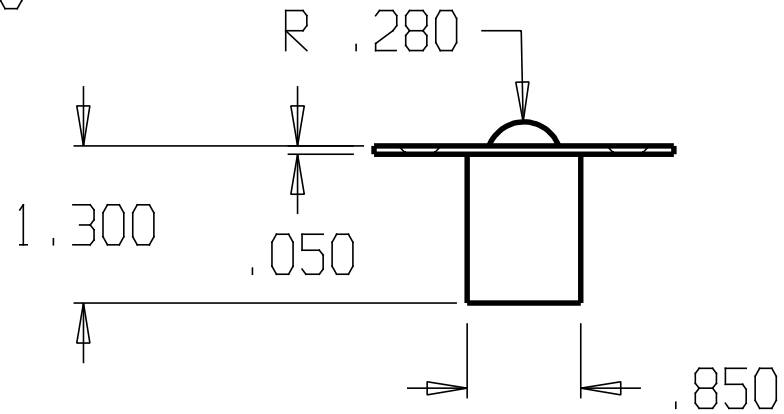
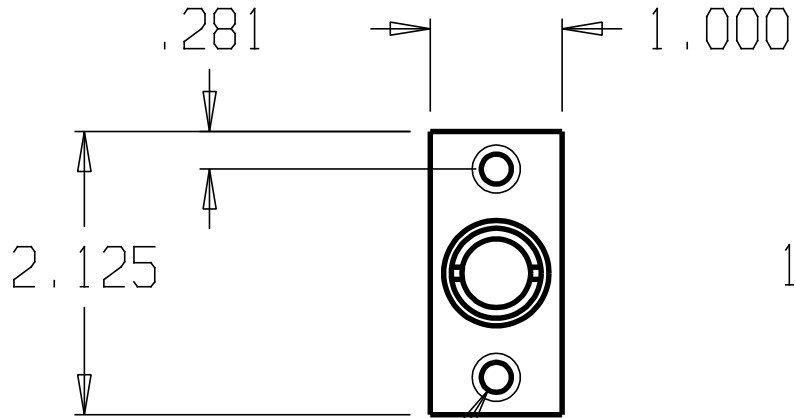
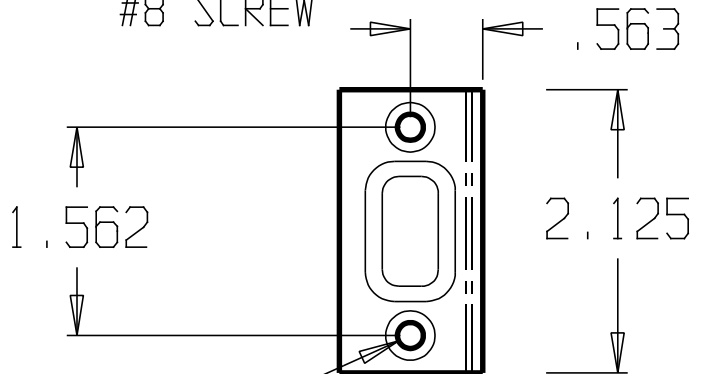


REVISIONS				
ZONE	REV	FINISHES:	DATE	APPROVED
		605, 613, 619, 620, 626		

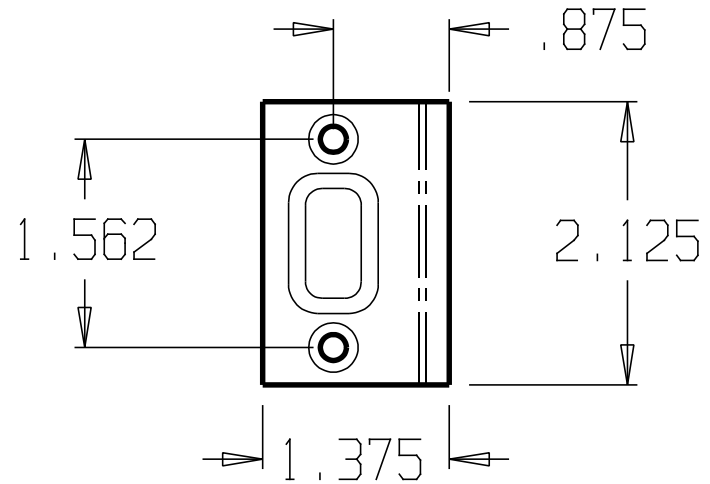


Ø .225
C' SINK FOR
#8 SCREW

STRIKE THICKNESS: .050



Ø .195
C' SINK FOR
#6 x 1/2"
WOOD SCREW



DON-JO MFG. INC.

DESIGNER
APPROVED

SIZE: A
DATE: 3/29/04
SCALE: RELEASE DATE:

PART NO. #1712
WEIGHT: SHEET: REV: