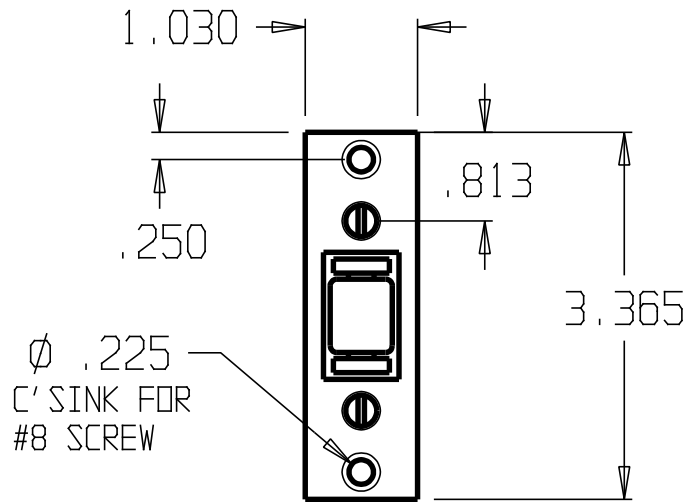
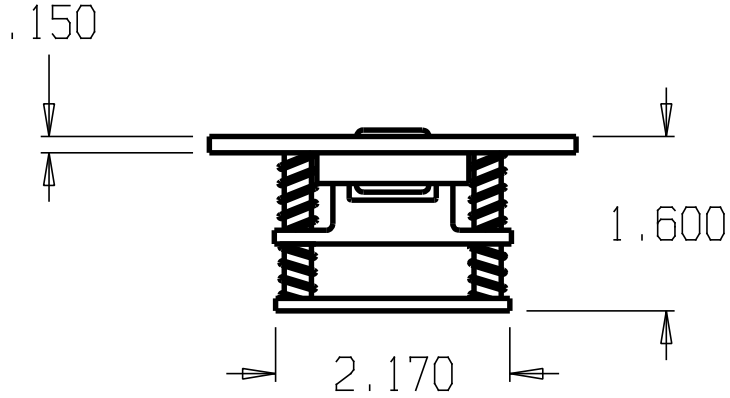
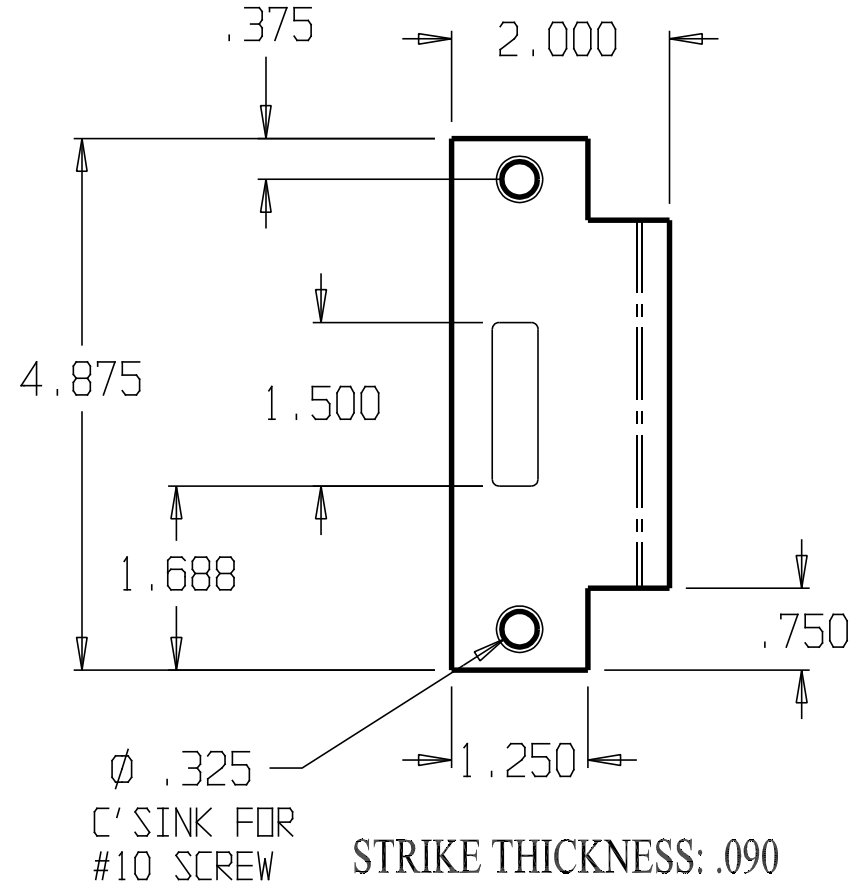


REVISIONS				
ZONE	REV	FINISHES:	DATE	APPROVED
		605, 613, 619, 620, 626		



MORTISE .930" X 2.2" X 1.6"
FOR MECHANISM



DON-JO MFG. INC.

DESIGNER	SCALE	DATE: 3/29/04	PART NO. #1704	REV
APPROVED	RELEASE DATE	WEIGHT	SHEET	