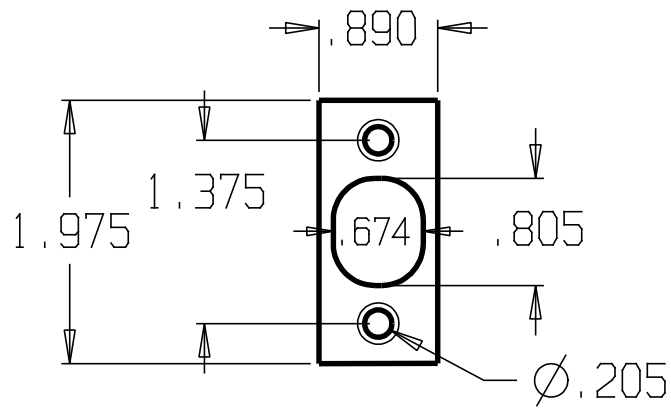
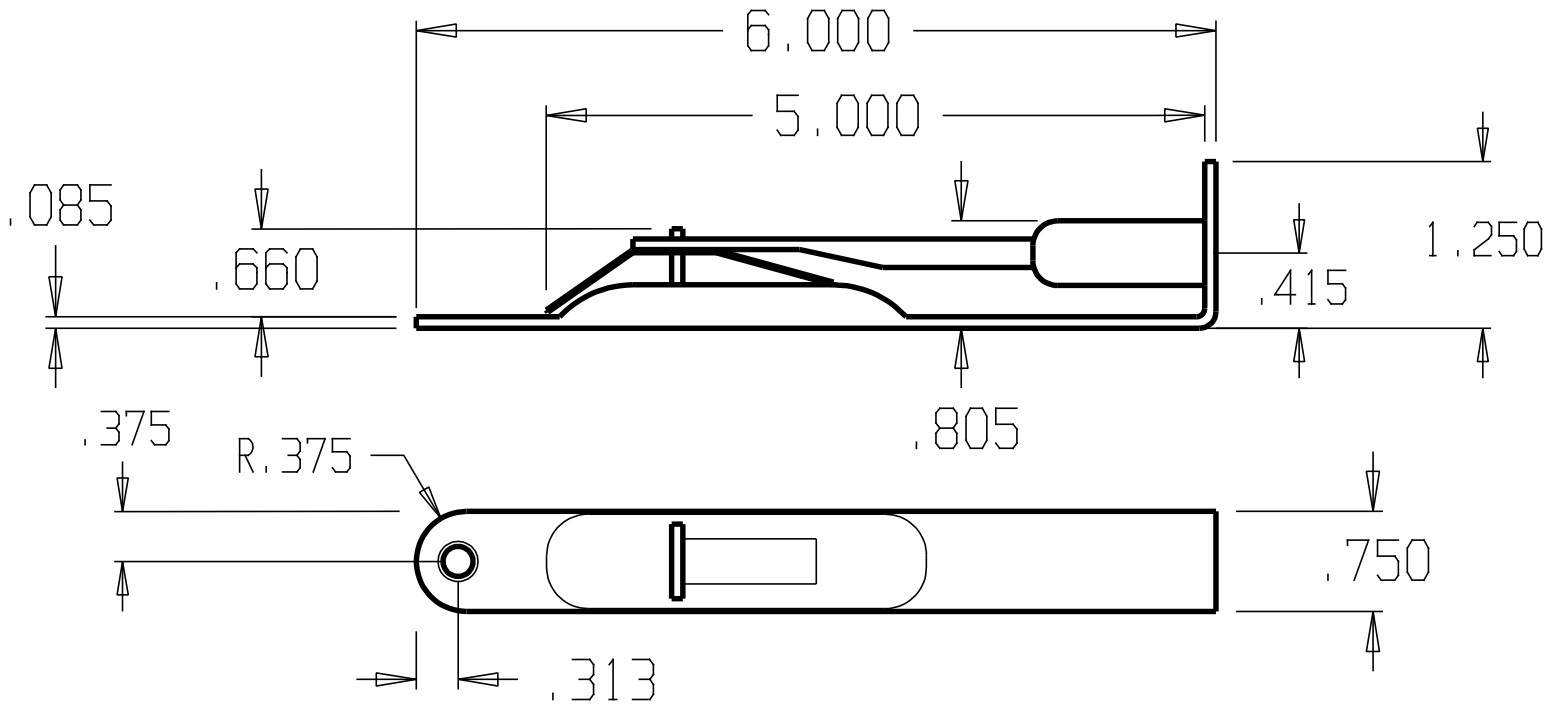


REVISIONS				
ZONE	REV	FINISHES:	DATE	APPROVED
		605,609,613,619,620,626		



DON-JO MFG. INC.

DESIGNER _____
 APPROVED _____

SIZE A	DATE: 3/29/04	PART NO. #1640R	REV
SCALE	RELEASE DATE	WEIGHT	SHEET