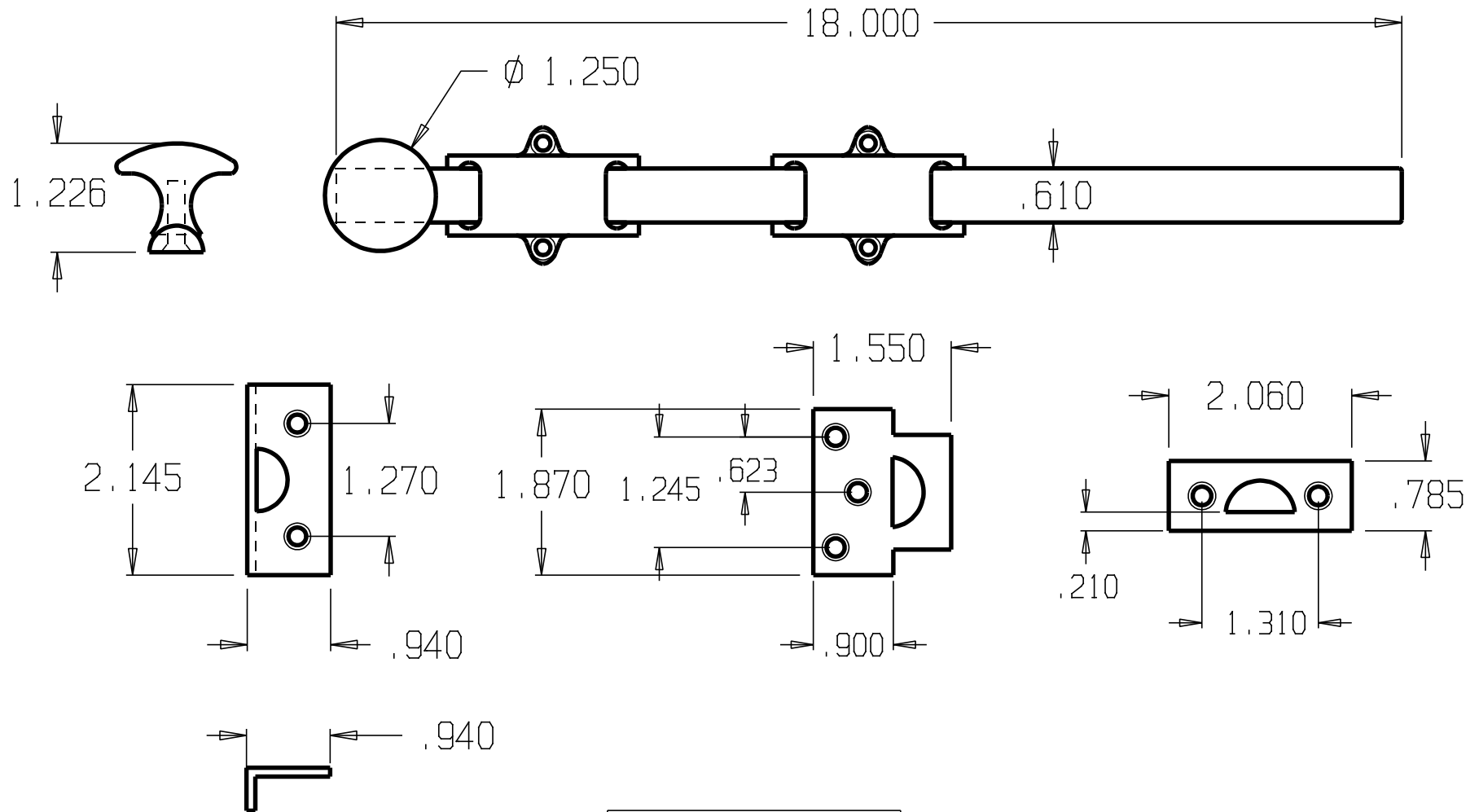


REVISIONS				
ZONE	REV	FINISHES:	DATE	APPROVED
		605,613,619,620,625,626		



<b>DON-JO MFG. INC.</b> DESIGNER APPROVED		SIZE A	DATE: 3/29/04	PART NO. #1636	REV
		SCALE	RELEASE DATE	WEIGHT	SHEET