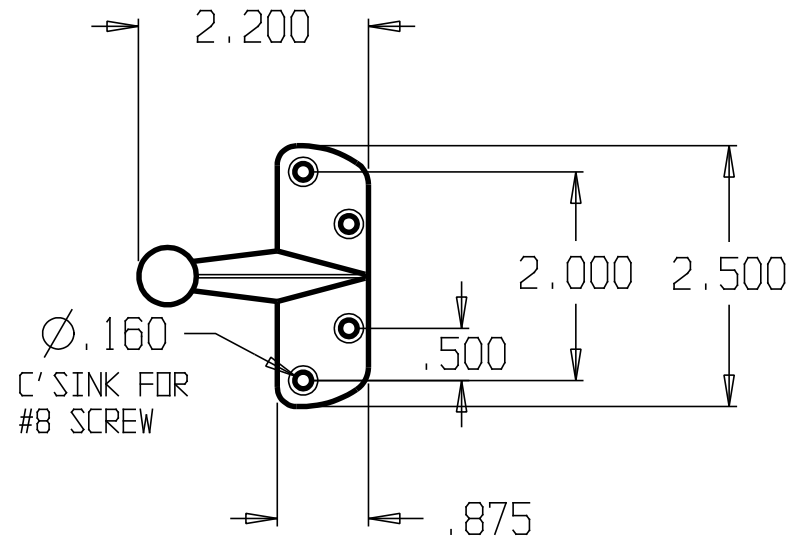
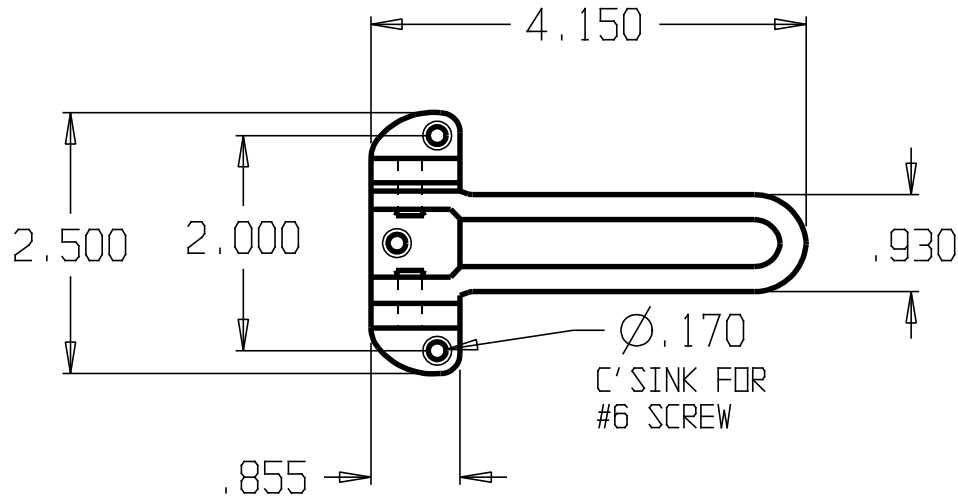


REVISIONS				
ZONE	REV	FINISHES:	DATE	APPROVED
		605, 606, 625, 626		



DON-JO MFG. INC.

DESIGNER	SIZE A	DATE: 3/25/04	PART NO. #1603	REV
APPROVED	SCALE	RELEASE DATE	WEIGHT	SHEET