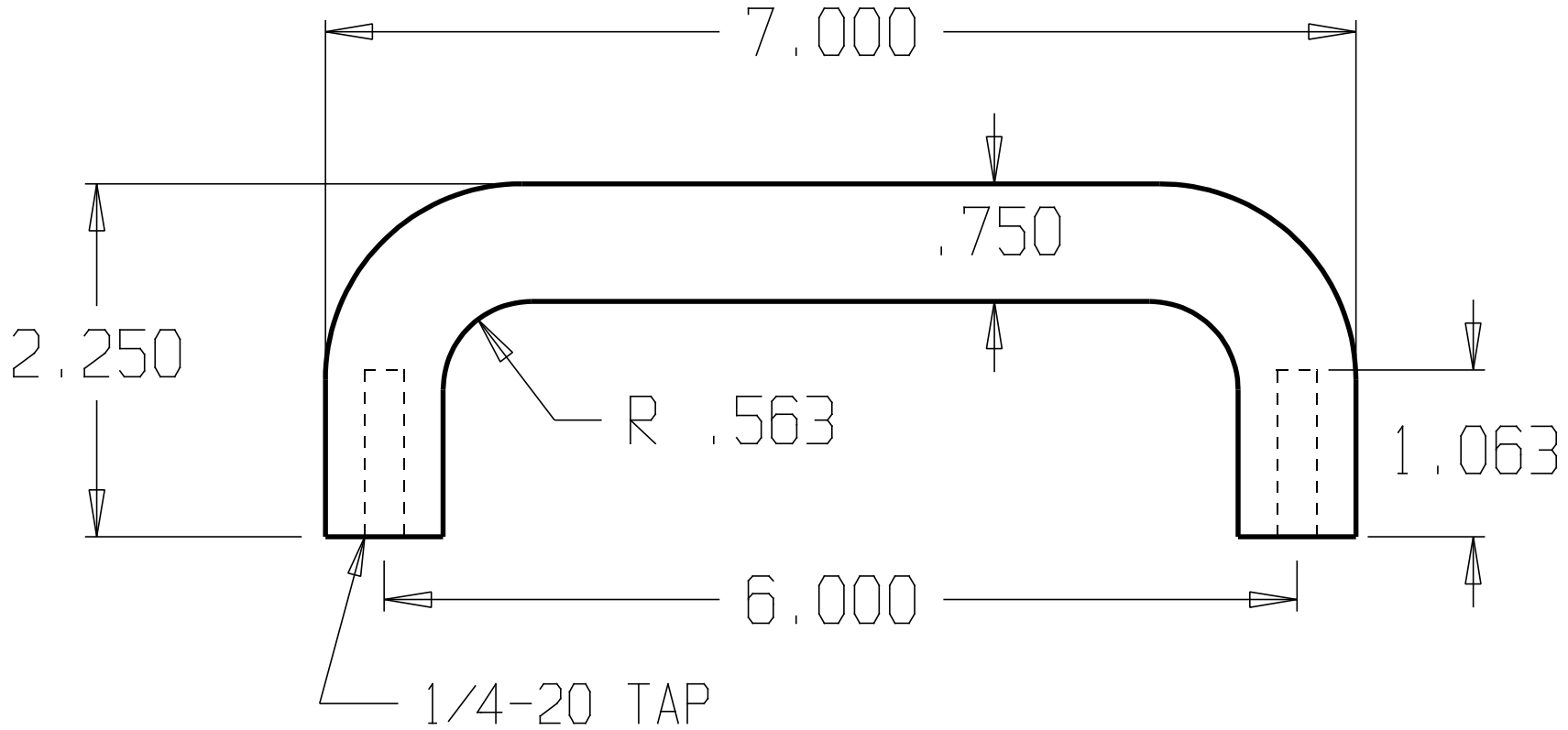


REVISIONS				
ZONE	REV	FINISHES:	DATE	APPROVED
		605,626,612,613,628,629,630		



DON-JO MFG. INC.				
DESIGNER	SIZE: A	DATE: 3/23/04	PART NO. #15	REV
APPROVED	SCALE	RELEASE DATE	WEIGHT	SHEET