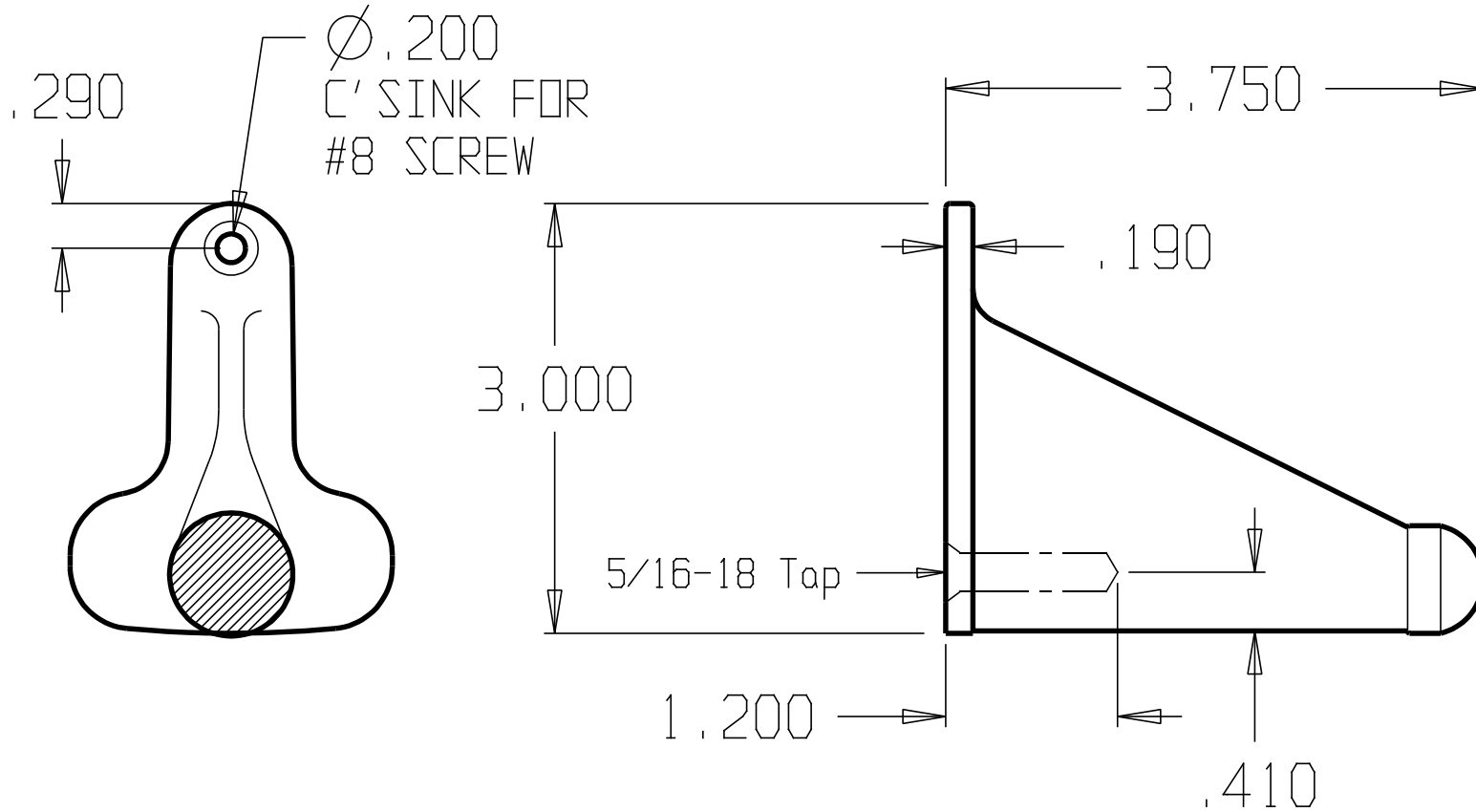


REVISIONS			
ZONE	REV	FINISHES:	DATE
		626	
		APPROVED	



DON-JO MFG. INC.				SIZE	DATE:	PART NO.	REV
DESIGNER		A	3/23/04	#1492			
APPROVED		SCALE	RELEASE DATE	WEIGHT	SHEET		