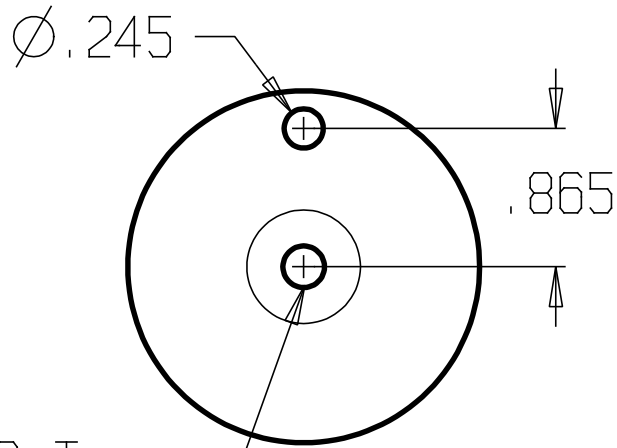
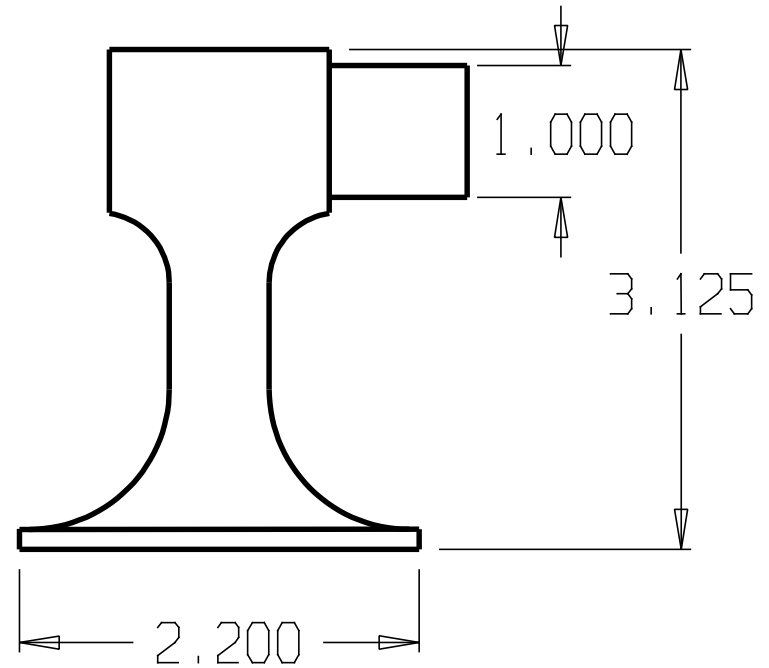


REVISIONS				
ZONE	REV	FINISHES :	DATE	APPROVED



5/16-18 Tap



DON-JO MFG. INC.

DESIGNER  
APPROVED

SIZE A	DATE 2/10/04	PART NO. #1471	REV
SCALE	RELEASE DATE	WEIGHT	SHEET