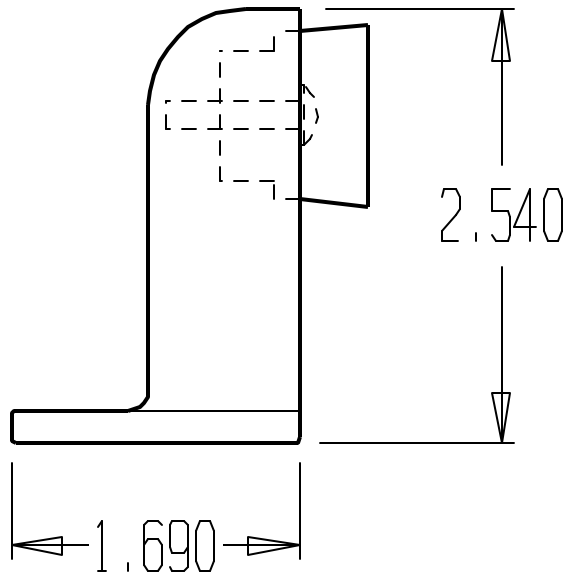
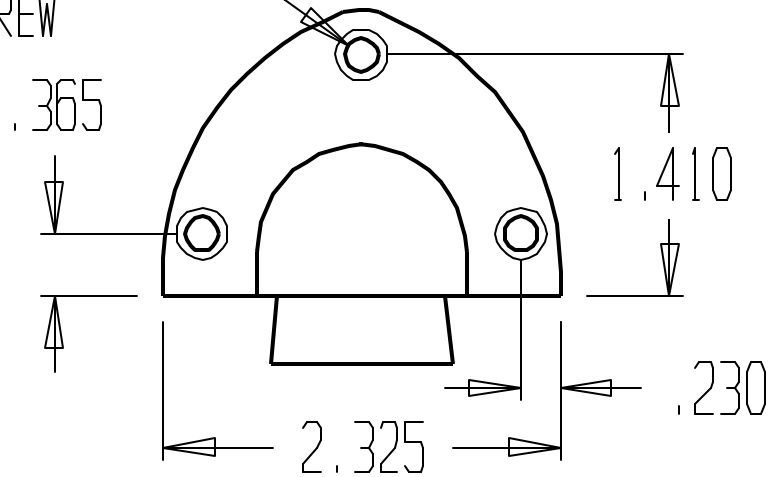


REVISIONS			
ZONE	REV	FINISHES:	DATE
		605, 613, 626	
			APPROVED



Ø .195  
C'SINK FOR  
#8 SCREW



DON-JO MFG. INC.

DESIGNER	SIZE A	DATE: 3/11/04	PART NO. #1449	REV
APPROVED	SCALE	RELEASE DATE	WEIGHT	SHEET