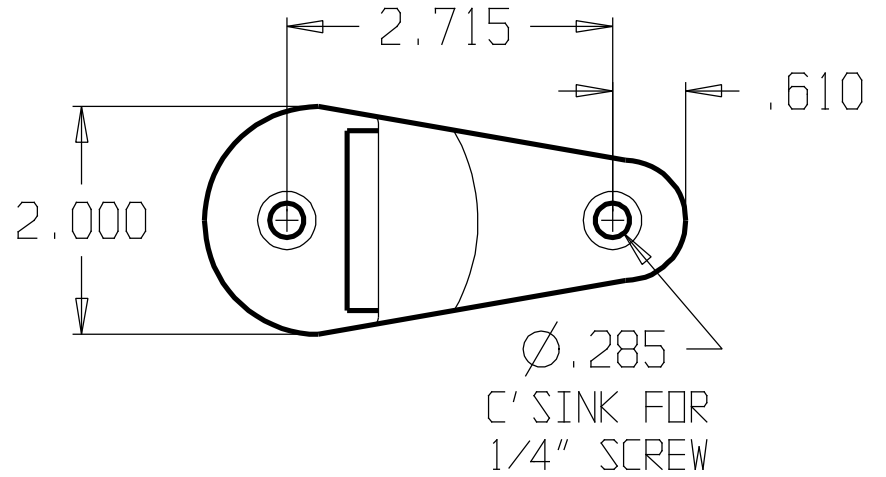
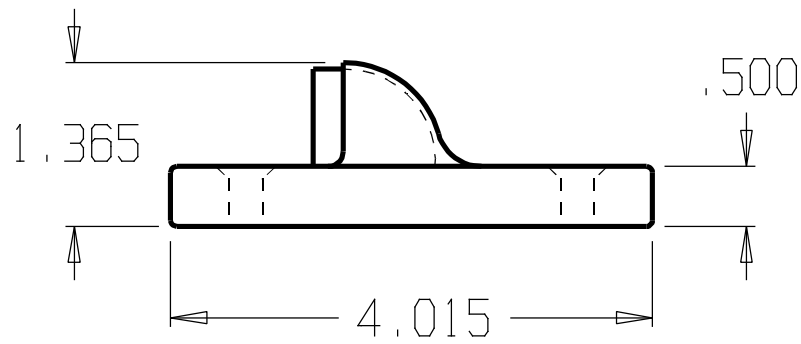


REVISIONS				
ZONE	REV	FINISHES:	DATE	APPROVED
		605, 613, 626		



DON-JO MFG. INC.

DESIGNER	SIZE A	DATE: 2/19/04	PART NO. #1444	REV
APPROVED	SCALE	RELEASE DATE	WEIGHT	SHEET