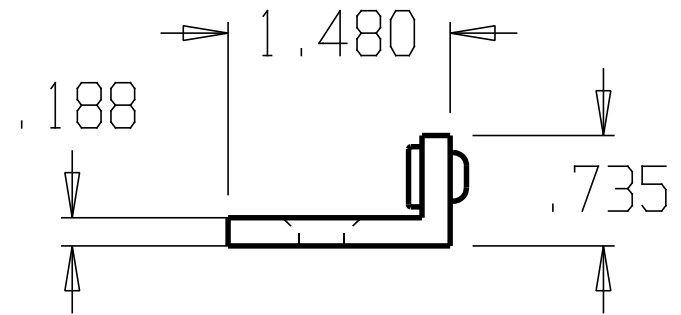
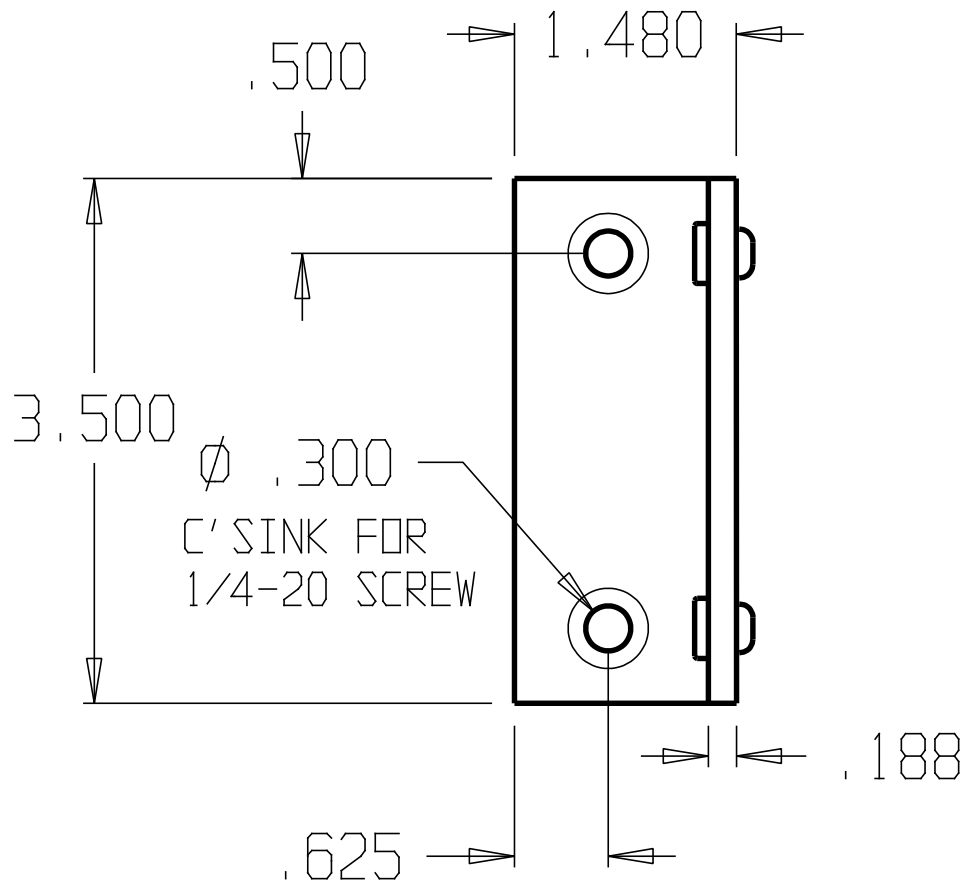


| REVISIONS | | | | |
|-----------|-----|-------------|------|----------|
| ZONE | REV | FINISHES: | DATE | APPROVED |
| | | 605,613,626 | | |



DON-JO MFG. INC.

| | | | | |
|----------|-----------|------------------|-------------------|-------|
| DESIGNER | SIZE A | DATE: 2/10/04 | PART NO. #1420 | REV |
| APPROVED | SCALE | RELEASE DATE | WEIGHT | SHEET |