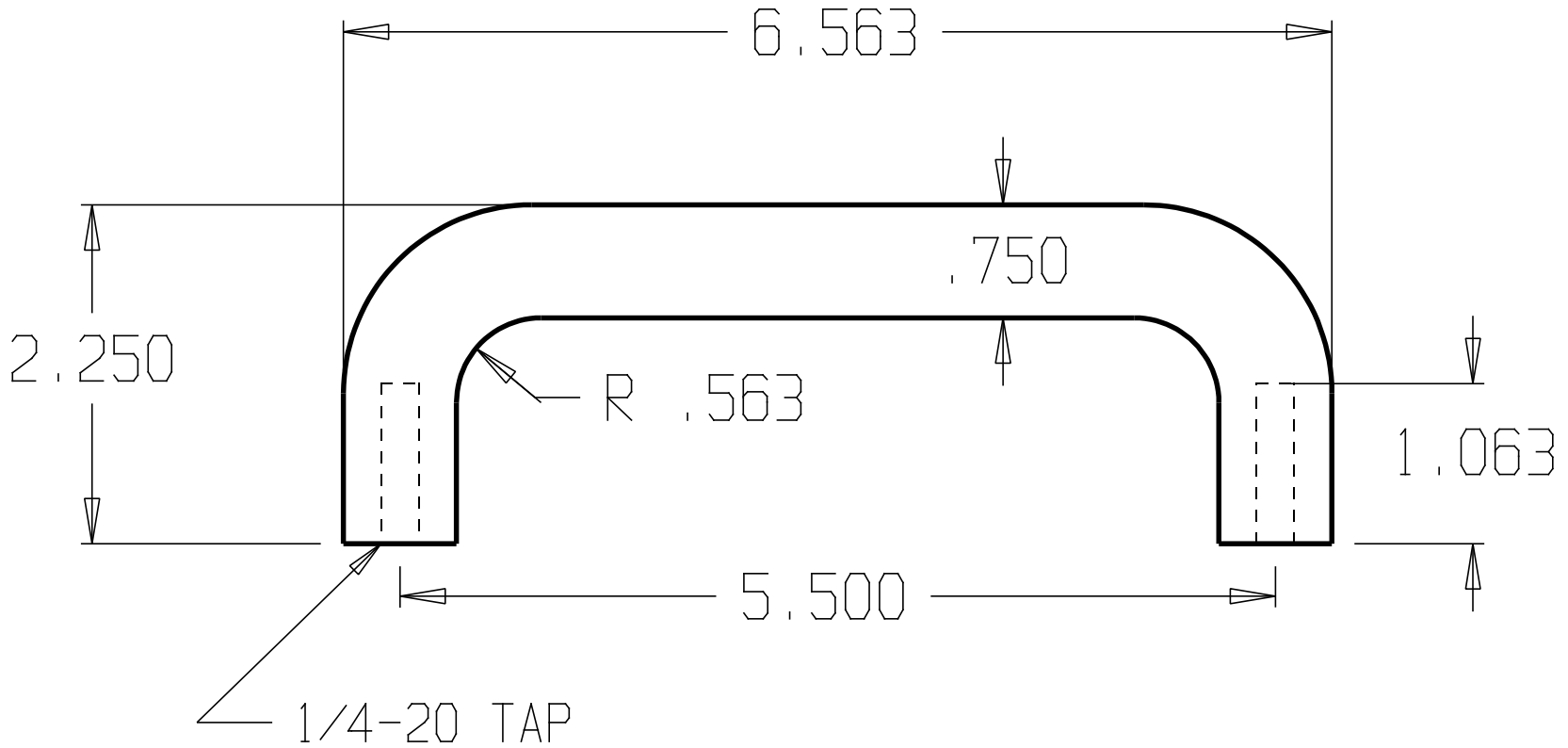


| REVISIONS | | | | |
|-----------|-----|-----------------------------------|------|----------|
| ZONE | REV | FINISHES: | DATE | APPROVED |
| | | 605, 606, 612, 613, 628, 629, 630 | | |



| | | | | |
|------------------|-----------|------------------|-----------------|-------|
| DON-JO MFG. INC. | | | | |
| DESIGNER | SIZE A | DATE: 2/10/04 | PART NO. #14 | REV |
| APPROVED | SCALE | RELEASE DATE | WEIGHT | SHEET |