

DWG NO

SH

REV

REVISIONS

ZONE

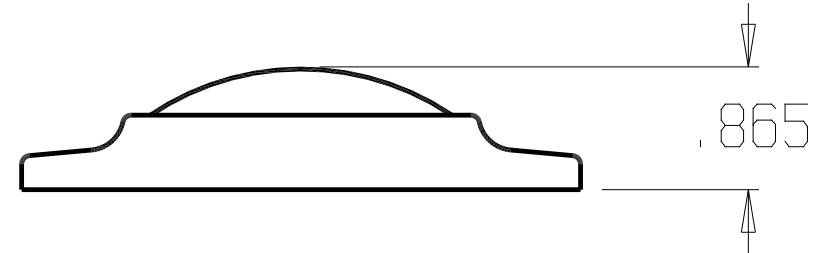
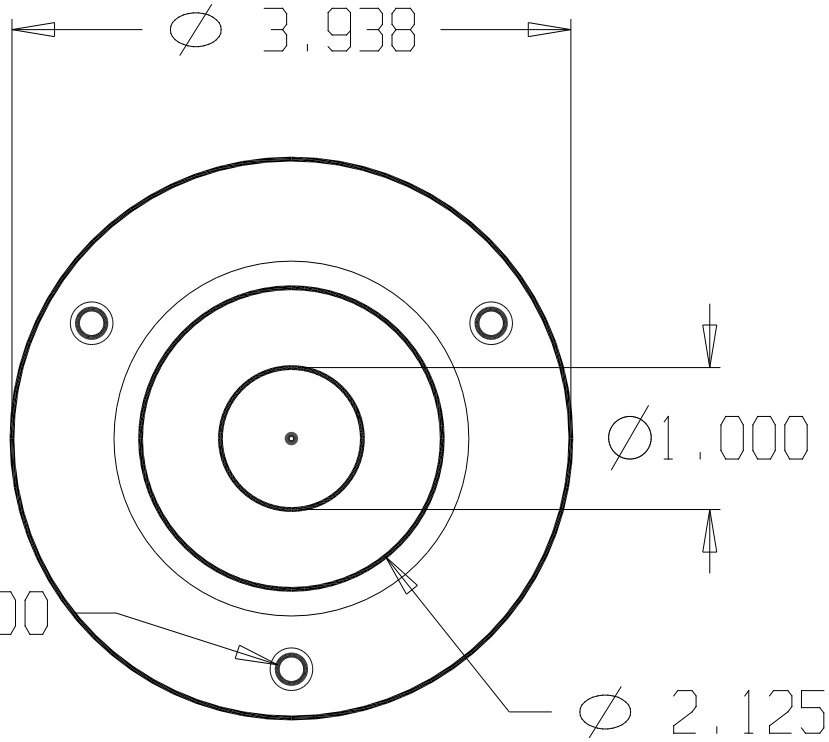
REV

FINISHES:

626

DATE

APPROVED



DON-JO MFG. INC.

DESIGNER

APPROVED

SIZE

A

DATE:

1/18/15

PART NO.

#1411

REV

SCALE

RELEASE DATE

WEIGHT

SHEET