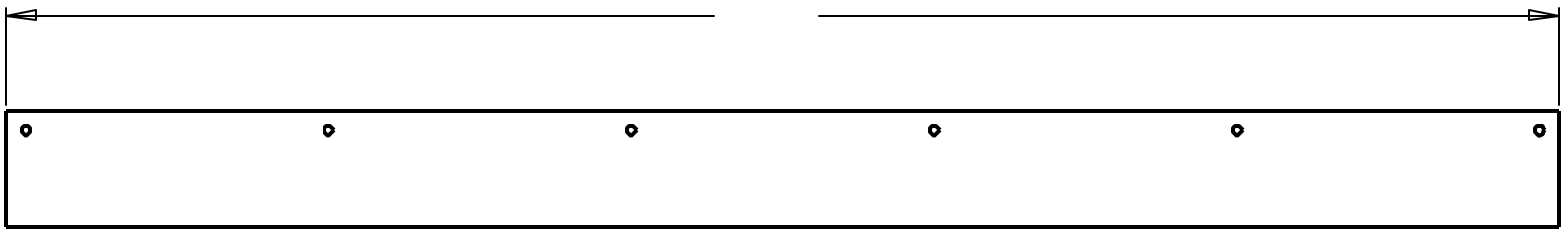
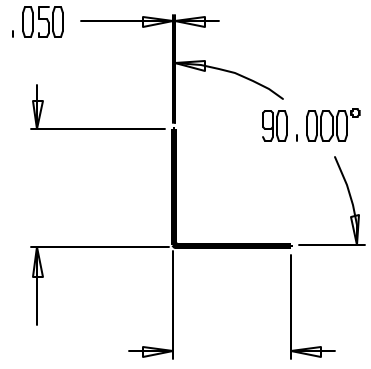


REVISIONS			
ZONE	REV	FINISHES:	DATE
		605, 606, 609, 612, 613, 620, 629, 630	
			APPROVED



**\*\* Customer To Specify Size and Finish and Fax To Factory For Quote \*\***

<b>DON-JO MFG. INC.</b>		SIZE	DATE	PART NO.	REV
		A	2/10/04	#1295	
DESIGNER		SCALE	RELEASE DATE	WEIGHT	SHEET
APPROVED					