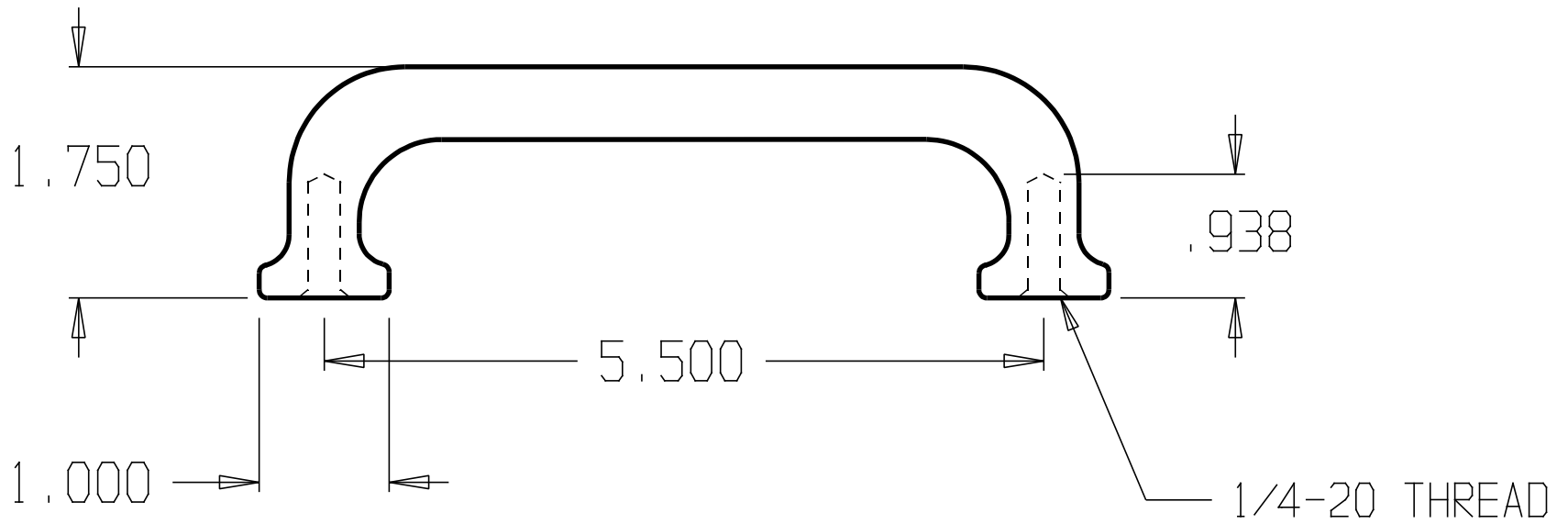


REVISIONS				
ZONE	REV	Finishes:	DATE	APPROVED
		605-612-613-628-630		



DON-JO MFG. INC.

DESIGNER	
APPROVED	

SIZE A	DATE: 2/10/04	PART NO. #10	REV
SCALE	RELEASE DATE	WEIGHT	SHEET