

DON-JO MFG., INC.
STERLING, MA 01564

www.don-jo.com
[e-mail:info@don-jo.com](mailto:info@don-jo.com)

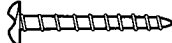
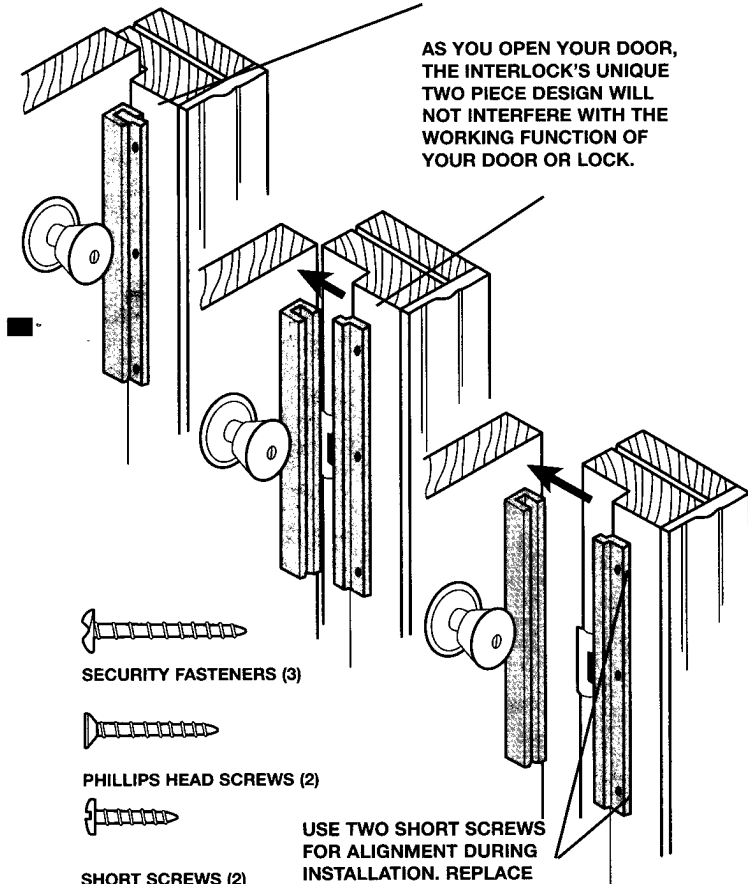
WE SHARE YOUR CONCERN
FOR OUR ENVIRONMENT
AND THOSE THAT INHABIT IT.
THIS PACKAGE CAN AND
SHOULD BE RECYCLED.
PLEASE HELP!



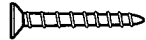
THE INTERLOCK FOR IN-SWINGING DOORS

CLOSED, THE INTERLOCK, COMPLETELY PROTECTS YOUR LOCK FROM FORCED ENTRY.

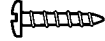
AS YOU OPEN YOUR DOOR, THE INTERLOCK'S UNIQUE TWO PIECE DESIGN WILL NOT INTERFERE WITH THE WORKING FUNCTION OF YOUR DOOR OR LOCK.



SECURITY FASTENERS (3)



PHILLIPS HEAD SCREWS (2)



SHORT SCREWS (2)

USE TWO SHORT SCREWS FOR ALIGNMENT DURING INSTALLATION. REPLACE EACH SHORT SCREW WITH SECURITY FASTENER FOR PERMANENT INSTALLATION.

**FOR USE WITH
KEY-IN-KNOB
AND
DEADBOLT LOCKS**