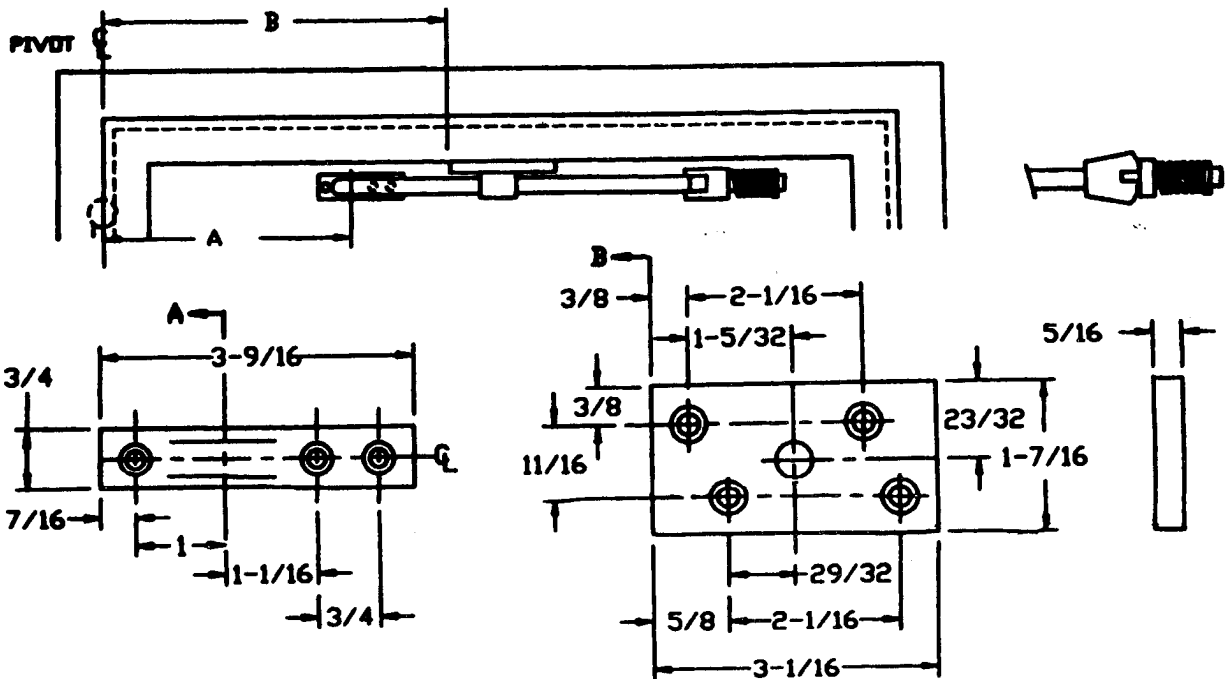
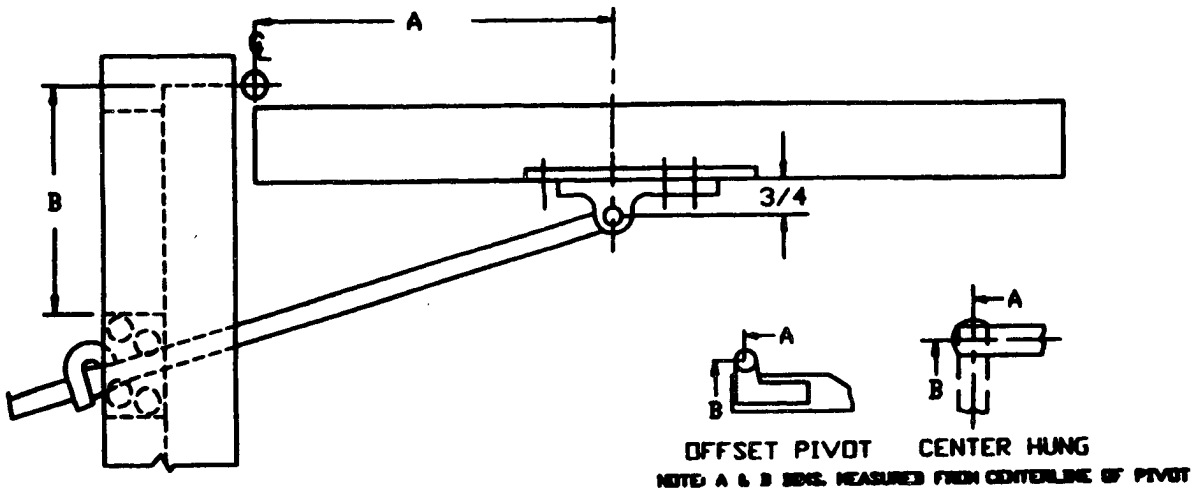


PART# 3212



SCREW DETAIL

	QTY	WOOD	METAL
JAMB	4	#14 X 1-1/2" F.H.W.S.	1/4"-20x3/4 F.H.M.S.
DOOR	3		1/4"-20X3/4 TRUSS HD M.S.
	2	1/4"-20 THRU BOLT W/GROMMET NUT, LENGTH TO SUIT DOOR THICKNESS	
	1	14X1-1/2 TRUSS W.S.	

DON-JO MFG., INC.

P.O. Box 929
Sterling, Ma. 01564
www.don-jo.com

SURFACE MOUNTED

REVERSIBLE/ NON-HANDED

FOR SINGLE ACTING DOORS ONLY

ALL DRILLING AND TAPPING TO BE DONE IN FIELD

FOR DEAD STOP ADD 3/8" TO 'A' DIMENSION

ALL DIMENSIONS SHOWN IN INCHES

MODEL NO.	DEGREE	85° H.D.		90° H.D.		95° H.D.		100° H.D.		105° H.D.		110° H.D.	
		A	B	A	B	A	B	A	B	A	B	A	B
3210	23' TO 28-15/16'	5-3/8	8-1/4	5	7-7/8	4-11/16	7-9/16	4-3/8	7-1/4	4-1/8	7	3-7/8	6-3/4
3220		7-15/16	11-7/8	8-3/8	10-1/4	7-15/16	9-13/16	7-1/2	9-3/8	7-3/16	9-1/16	6-7/8	8-3/4
3211	29' TO 34-15/16'	10-9/16	14-1/8	10-15/16	12-5/16	10-7/16	11-13/16	9-15/16	11-5/16	9-1/2	10-7/8	9-1/8	10-1/2
3221		13-1/4	16-7/16	13-9/16	14-1/2	12-15/16	13-7/8	12-3/8	12-5/16	11-7/8	12-13/16	11-7/16	12-3/8
3212	35' TO 40-15/16'	15-1/2	19-13/16	15-7/8	17-11/16	15-3/16	17	14-1/2	16-5/16	13-15/16	15-3/4	13-3/8	15-3/16
3222		15-1/2	19-13/16	15-7/8	17-11/16	15-3/16	17	14-1/2	16-5/16	13-15/16	15-3/4	13-3/8	15-3/16
3213	41' TO 46-15/16'	15-1/2	19-13/16	15-7/8	17-11/16	15-3/16	17	14-1/2	16-5/16	13-15/16	15-3/4	13-3/8	15-3/16
3223		15-1/2	19-13/16	15-7/8	17-11/16	15-3/16	17	14-1/2	16-5/16	13-15/16	15-3/4	13-3/8	15-3/16
3214	47' - UP	15-1/2	19-13/16	15-7/8	17-11/16	15-3/16	17	14-1/2	16-5/16	13-15/16	15-3/4	13-3/8	15-3/16
3224		15-1/2	19-13/16	15-7/8	17-11/16	15-3/16	17	14-1/2	16-5/16	13-15/16	15-3/4	13-3/8	15-3/16

1-1/4" TO 2-3/8" DOOR THICKNESS
BUT SET PIVOT

'A' & 'B' DIMENSION MEASURED FROM CENTER OF PIVOT - INDI EDGE OF DOOR

MODEL NO.	DEGREE	85° H.D.		90° H.D.		95° H.D.		100° H.D.		105° H.D.		110° H.D.	
		A	B	A	B	A	B	A	B	A	B	A	B
3210	24' TO 31-15/16'	5-3/8	8-1/4	5-1/16	7-15/16	4-3/4	7-5/8	4-1/2	7-3/8	4-5/16	7-3/16	4-1/16	6-15/16
3220		9	10-7/8	8-1/2	10-3/8	8-1/8	10	7-3/4	9-5/8	7-7/16	9-5/16	7-1/8	9
3211	32-1/2' TO 38-7/16'	11-11/16	13-1/16	11-1/8	12-1/2	10-5/8	12	10-1/8	11-1/2	9-3/4	11-1/8	9-7/16	10-13/16
3221		14-3/8	15-5/16	13-11/16	14-5/8	13-1/16	14	12-9/16	13-1/2	12-1/16	13	11-5/8	12-9/16
3212	38-1/2' TO 44-3/16'	16-3/4	18-9/16	15-15/16	17-3/4	15-3/16	17	14-9/16	16-3/8	14-1/16	15-7/8	13-9/16	15-3/8
3222		16-3/4	18-9/16	15-15/16	17-3/4	15-3/16	17	14-9/16	16-3/8	14-1/16	15-7/8	13-9/16	15-3/8
3213	44-1/4' TO 50-3/16'	16-3/4	18-9/16	15-15/16	17-3/4	15-3/16	17	14-9/16	16-3/8	14-1/16	15-7/8	13-9/16	15-3/8
3223		16-3/4	18-9/16	15-15/16	17-3/4	15-3/16	17	14-9/16	16-3/8	14-1/16	15-7/8	13-9/16	15-3/8
3214	50-1/4' & UP	16-3/4	18-9/16	15-15/16	17-3/4	15-3/16	17	14-9/16	16-3/8	14-1/16	15-7/8	13-9/16	15-3/8
3224		16-3/4	18-9/16	15-15/16	17-3/4	15-3/16	17	14-9/16	16-3/8	14-1/16	15-7/8	13-9/16	15-3/8

1-1/4" TO 2-3/8" DOOR THICKNESS
CENTER HUNG